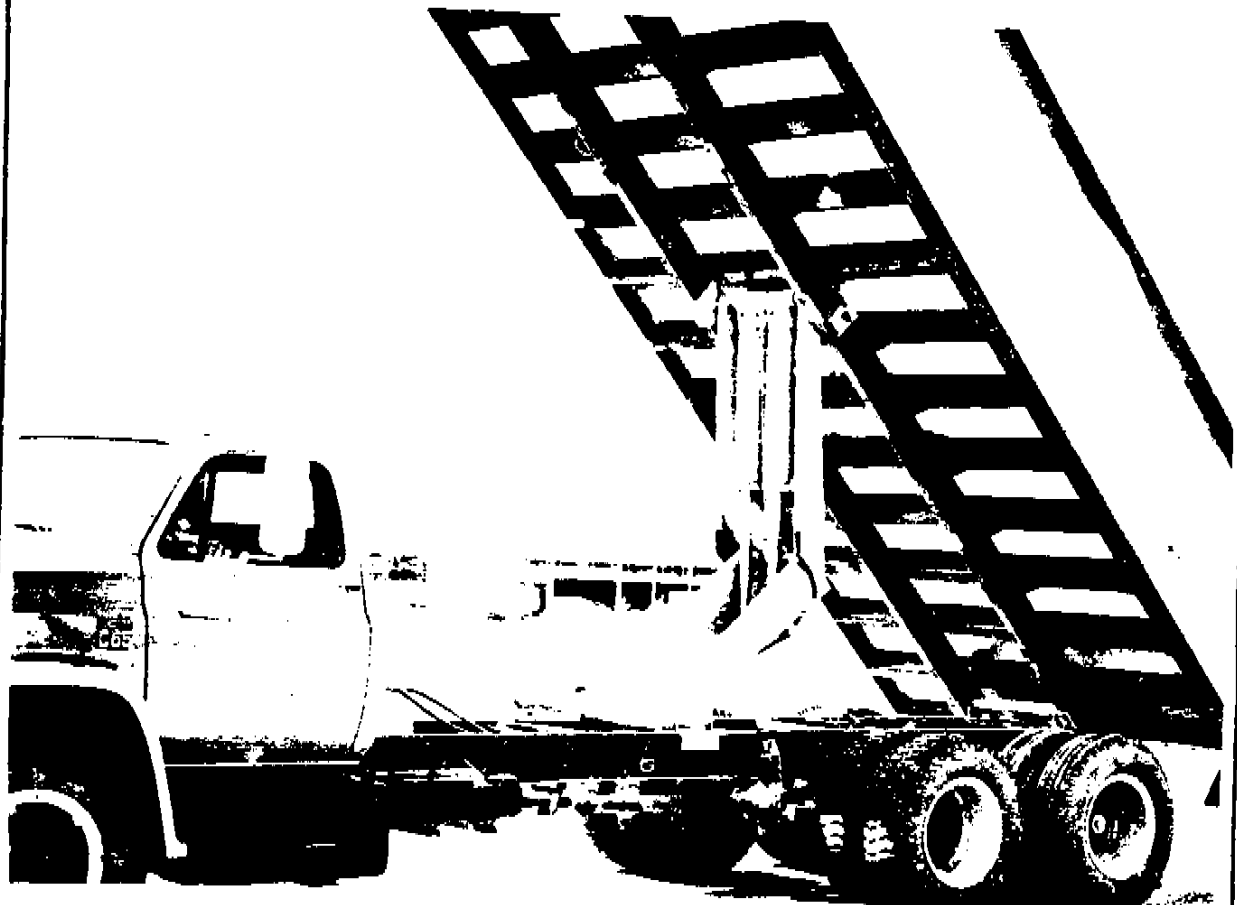


OPERATOR'S MANUAL

INSTRUCTIONS and REPAIR PARTS LIST

**FOR ASSEMBLING AND OPERATING
THE LO-BOY MODEL ST-4000 TRUCK HOIST**



Read these instructions

Save them for reference

Crysteel Manufacturing, Inc.

Telephone: 507-726-2728

Highway 60 East
LAKE CRYSTAL, MINNESOTA 56055

LO-BOY ST-4000 TRUCK HOIST

DATE PURCHASED _____
 SERIAL NUMBER ON HOIST _____
 SERIAL NUMBER ON CYLINDER _____
 SERIAL NUMBER ON PUMP _____

FOREWORD

This manual contains information necessary for the proper installation and operation of this truck hoist. Study it carefully before attempting to mount the hoist. With proper installation and maintenance the Lo-Boy Model ST-4000 truck hoist will give many years of trouble free service.

When ordering parts be sure to give serial number of both pump and cylinders. The serial number of the pump is found on the plate on the front of the pump. The serial number of the cylinder is stamped on the barrel of the cylinder near the base. For future reference, copy these numbers NOW in the space provided above. Order parts by number and description as given in the parts listing in this manual.

If you prefer, parts for the pump may be ordered directly from the manufacturer of the pump as per the information supplied with the pump, which can be considered to be part of this manual. If you do this, specify that the built-in relief valve be set to operate at 4000 P.S.I. and that your pump is part of the Lo-Boy Model ST-4000 truck hoist.

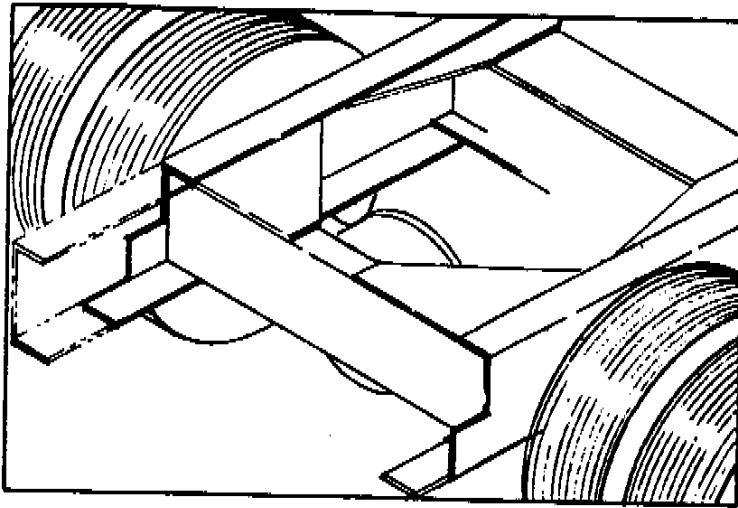
THE LO-BOY MODEL ST-4000 TRUCK HOIST IS DESIGNED AND INTENDED FOR USE ON TANDEM AXLE TRUCKS WITH CAB-TO-TRUNION DIMENSIONS OF 120 INCHES THROUGH 181 INCHES AND BODY LENGTHS OF 14 FEET THROUGH 24 FEET.

KEEP THIS MANUAL IN A SAFE PLACE FOR FUTURE REFERENCE

SAFETY FIRST

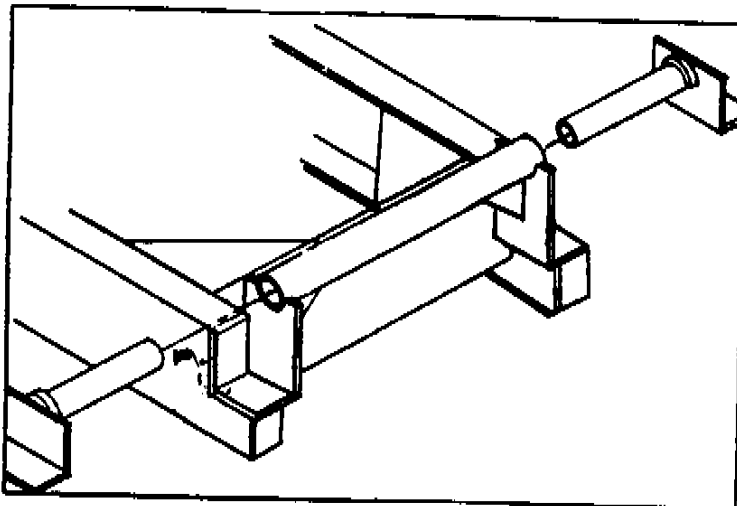
NEVER EXCEED THE G.V.W. (GROSS VEHICLE WEIGHT) RATING NOR THE G.A.W. (GROSS AXLE WEIGHT) RATING SPECIFIED FOR YOUR TRUCK.

LO-BOY ST-4000 TRUCK HOIST

MOUNTING INSTRUCTIONSLOCATE REAR HINGE

The rear hinge is pre-assembled for ease of installation. Remove the extension tube brackets No. 4 from the center assembly No. 5. Mark the truck frame as shown by using the center assembly as a guide. Mark the top flange 1/4 inch behind the rear truck frame crossmember. (This will usually be from 42 to 45 inches behind the C.T.) The rear hinge should never be more than 50 inches behind the C.T. Mark straight down 5 in., back 5 in., down to the bottom flange, then leave enough of the bottom flange intact to bend up later to box in the frame as shown.

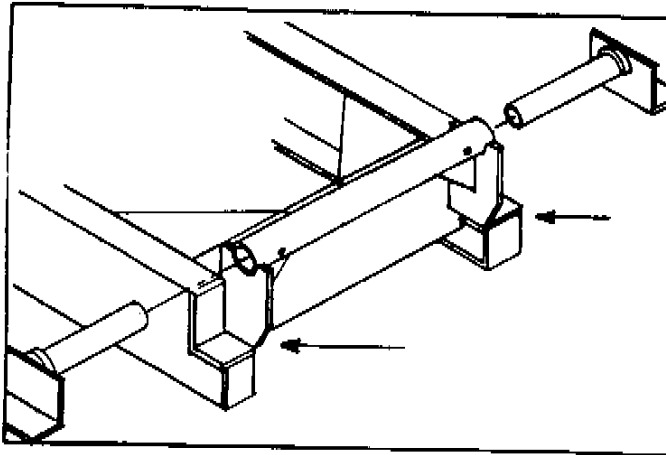
TORCH CUT THE FRAME AS MARKED

INSTALL REAR HINGE

Set the rear hinge in place. The top of the angle brackets of the center assembly No. 5 should be flush with the top of the truck frame. The vertical half inch plates of the hinge assembly should be against the rear surface of the truck frame crossmember. Check to make sure it is centered and square with the truck frame. Weld the rear hinge assembly very securely to the truck frame at all contact points, especially to the rear surface of the truck frame crossmember. If necessary, grind the weld smooth at the top of the truck frame. Bend the lower flange of the truck frame up to the hinge angle to box in the lower part of the truck frame and weld securely. Replace the extension tube brackets No. 4 in the center assembly No. 5 as far in as possible against the stops, so there will be NO SIDEPLAY in the rear hinge.

LO-BOY ST-4000 TRUCK HOIST

LOCATE HOIST ON TRUCK FRAME

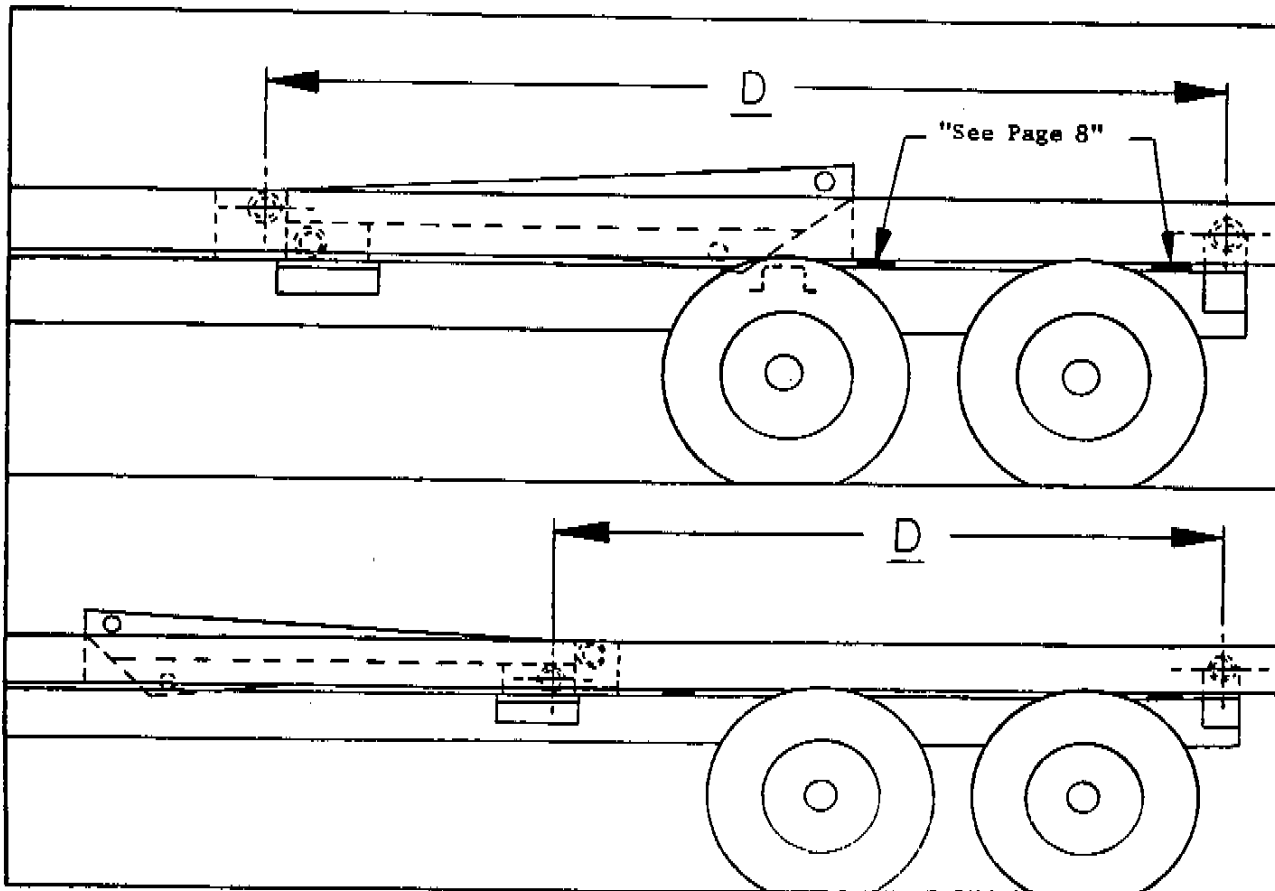


The rear end of the main hoist frame No. 3 is designed to rest on the truck frame crossmember approximately in line with the front edge of the front tires of the tandem. This will result in a normal installation with a dump angle of about 45 degrees. For steeper dump angles it can be mounted farther back. NOTE: In some cases the hoist may fit the truck frame better if it is mounted "backwards" as shown below. For dump angles steeper than 50 degrees, it will be necessary to trim the rear corners off the rear hinge as shown here, so the longbeams will not strike the hinge angle when hoisted.

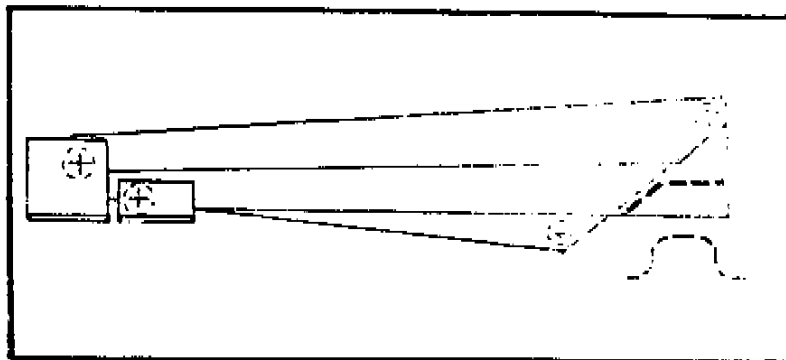
DETERMINE DUMP ANGLE

Measure the distance "D" as shown below from the center of the rear hinge tube to the center of the upper crosstube shown in the following chart:

| | | |
|-------------------------|-------------------------|-------------------------|
| 100 inches - 60 degrees | 115 inches - 51 degrees | 130 inches - 45 degrees |
| 105 inches - 56 degrees | 120 inches - 49 degrees | 140 inches - 42 degrees |
| 110 inches - 53 degrees | 125 inches - 47 degrees | 150 inches - 40 degrees |

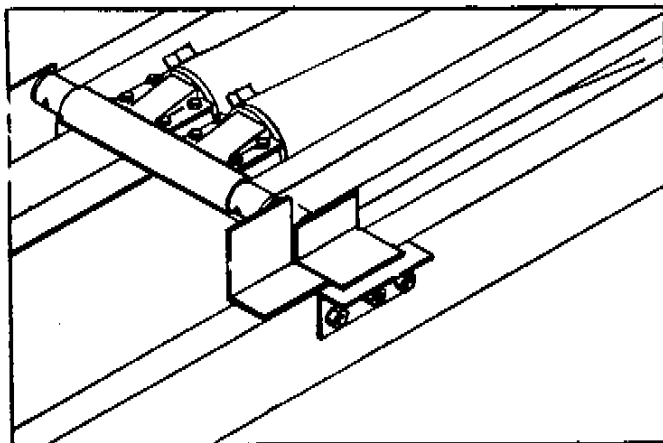


LO-BOY ST-4000 TRUCK HOIST



SPECIAL INSTRUCTIONS FOR SOME INSTALLATIONS

1. If it is desired to lower the rear end of the hoist that rests on the truck frame crossmember, in order to avoid notching underbody crossmembers; this can be done by notching the rear of the hoist BEHIND THE SLANTED HEADPLATE as shown by the heavy dotted line. Notch these plates as required, trim the cut off pieces and weld them back on at a higher level. The hoist can be lowered as much as 4 inches this way IF THERE IS SUFFICIENT DRIVESHAFT CLEARANCE.
2. If it is desired to locate the hoist where there is not a truck frame crossmember to support the rear end of the hoist, add a new crossmember for this purpose. A piece of six inch channel will suffice for this.



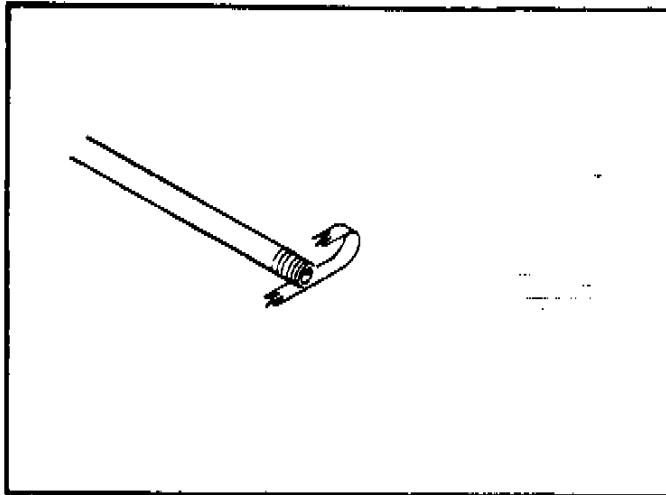
MOUNT HOIST TO TRUCK FRAME

The angle brackets of the hoist must rest flat on truck frame. If rivets are encountered in truck frame and the hoist cannot be moved to clear them, countersink rivet heads into the brackets. Center the mounting angles No. 19 under the hoist brackets, clamp them in place and drill $21/32$ holes in truck frame. Bolt the mounting angles No. 19 to truck frame, using $5/8 \times 1\ 3/4$ machine bolts and lockwashers. CAUTION: When drilling in truck frame, be careful of brakelines, wiring, etc. inside the truck frame.

WELD BRACKETS TO MOUNTING ANGLES

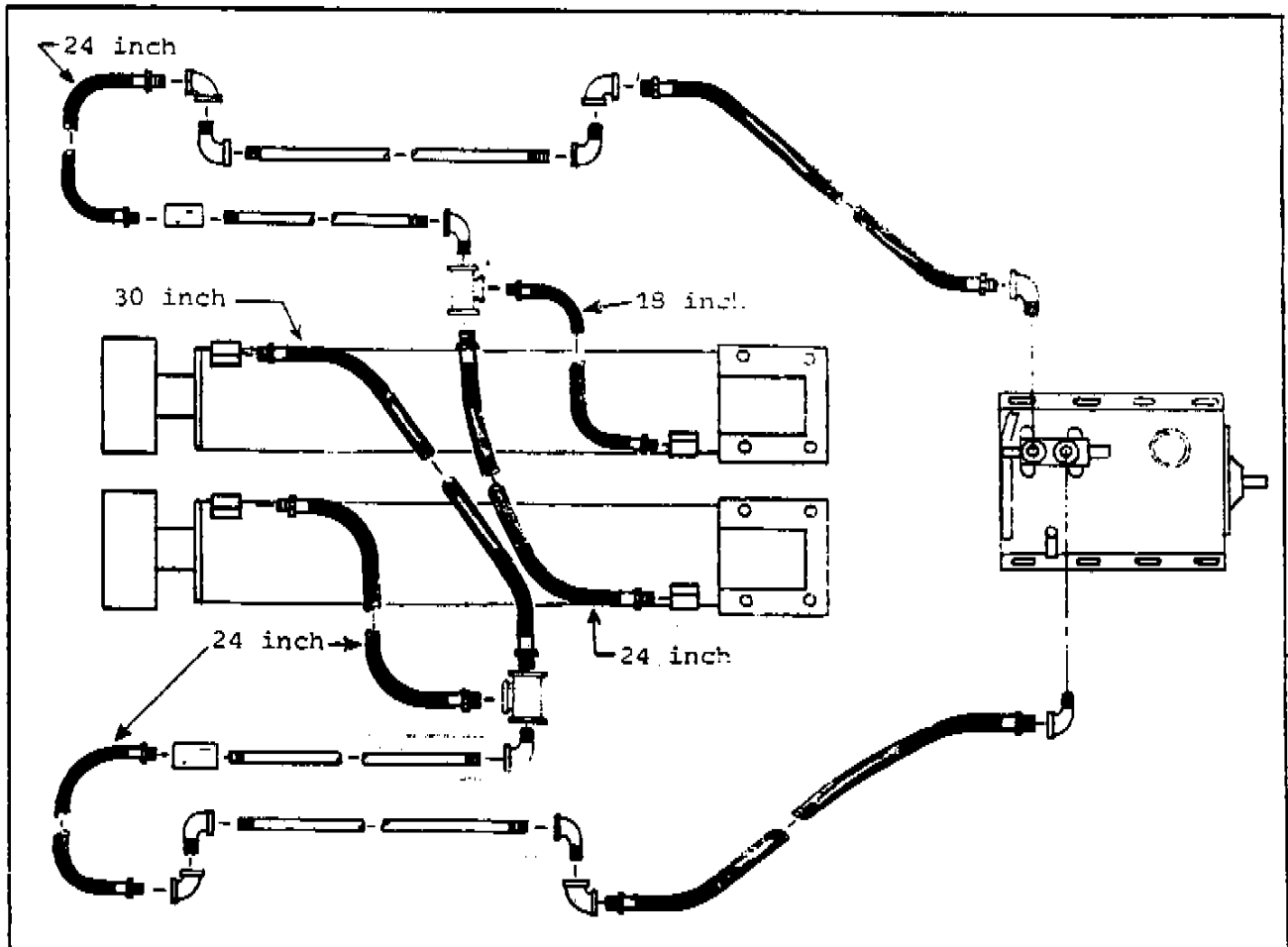
Re-check to make sure hoist is centered and square with truck frame. Weld the angle brackets of the hoist very securely to mounting angles.

LO-BOY ST-4000 TRUCK HOIST

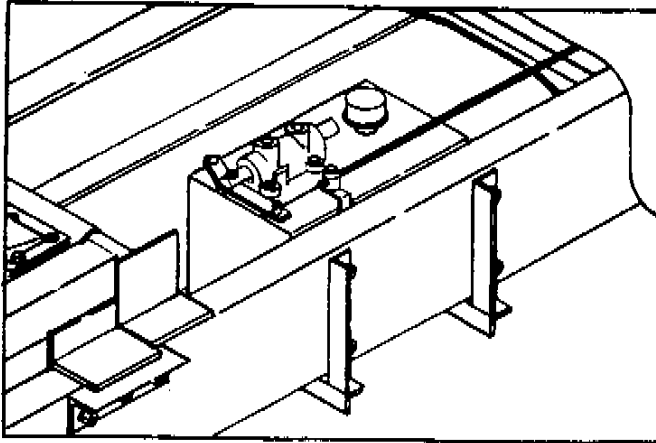


PLUMBING AND USE OF TEFLON TAPE

Use teflon tape on all hydraulic connections. Properly done, this will assure absolutely leakproof connections. All connections are 3/8 in. pipe. One wrap of teflon tape is enough -- use it sparingly. Rather than cutting, break off about 2 inches of teflon tape. This will provide a feathered edge, for easier assembly. Stretch it tight so that it sinks deeply into the threads. Be sure to wrap the tape in the same direction the fitting screws on so it will stay in place as the fitting is threaded on. It is not necessary to tighten the connections excessively.



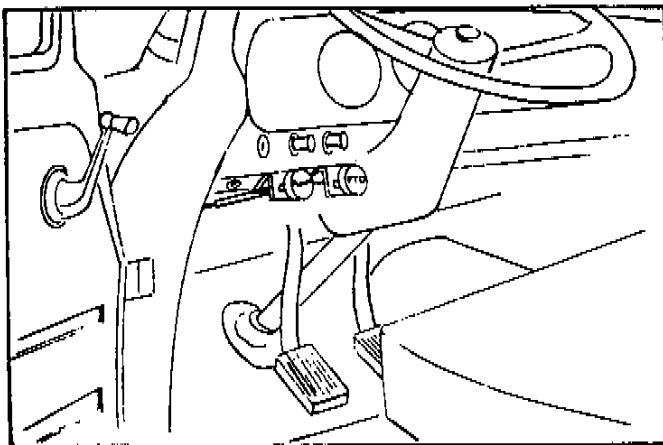
LO-BOY ST-4000 TRUCK HOIST

ATTACH MOUNTING ANGLES TO PUMP

Determine on which side of the truck frame to mount the pump. (Same side as the PTO). Bolt the pump mounting angles No. 33 to the pump No. 20, using 3/8 x 1 machine bolts, flat washers and lock-washers.

MOUNT HYDRAULIC PUMP

Temporarily clamp the pump mounting angles to the truck frame, with the pump inside the truck frame a few inches behind the cab. Check to be sure of sufficient clearance and that PTO driveshaft is long enough. In some cases it will be necessary to re-work the exhaust system for clearance. **UNDER NO CIRCUMSTANCES SHOULD THE ENGINE EXHAUST BE PERMITTED TO BLOW DIRECTLY ONTO THE PUMP!** The PTO driveline must never exceed 15 degrees angularity. After locating the pump, drill 17/32 diameter holes through the truck frame and bolt tight, using 1/2 x 1 1/2 inch machine bolts and lock-washers.

ADD HYDRAULIC FLUID - 6 U.S. GALLONS

The capacity of the pump reservoir is 27 U.S. quarts. Six U.S. gallons (24 quarts) are required for proper operation. **KEEP IT CLEAN! USE CLEAN CONTAINERS, FUNNELS AND OTHER EQUIPMENT.** Use a quality hydraulic fluid of 150 SSU @ 100 degrees F. which contains corrosion and oxidation inhibitors and a foam depressant. For general use, a good quality SAE 10W non-detergent motor oil with the proper additives, or type A transmission fluid can be used.

INSTALL CABLE CONTROL NO. 23

Remove control wire from cable housing and oil inside of cable housing before installing. Attach control mounting angle No. 24 at a convenient location under the dash, using the 1/4 x 3/4 machine bolts and lockwashers. Install cable through firewall and connect to valve control lever. Check and adjust for proper operation. Be sure there are no sharp bends in cable.

LO-BOY ST-4000 TRUCK HOIST

PLUMBING HYDRAULIC CYLINDERS

Study the plumbing diagram shown on page -6- very carefully and follow it EXACTLY! Remove port plugs from cylinders. Starting at the pipe tee No. 7 on the left (driver's) side on the inside of the upper hoist frame, run a 24 inch hose No. 12 through the front hole in the center tension bar of the hoist frame to the base end (front end) of the right hand cylinder; and an 18 inch hose No. 46 to the base end of the left cylinder. Starting again at the pipe tee No. 7 on the right side, run a 30 inch hose No. 47 through the rear hole in the center tension bar of the hoist, to the head (shaft) end of the left cylinder; and a 24 inch hose No. 12 to the head end of the right cylinder. The swivel end of all hoses should be connected to the cylinder ports. NOTE: Final tightening of hoses at the HEAD end of cylinders will be easier if left until later when the hoist is raised.

COMPLETE HYDRAULIC PLUMBING

On each side of the hoist, 24 inch hoses No. 12 are tucked inside the upper frame. One end is already connected inside the frame. Connect the other end to the elbow near the cylinder crosshead pin. (See lubrication photo on page 11). Install a 90 degree street elbow in each port of the pump valve. Connect the 36 inch hose No. 16 to the hoist hydraulic line on the same side of the truck as the pump. Connect the 42 inch hose No. 40 to the other side. Connect the hose on the left (driver's) side to the valve port nearest the rear of the truck, as shown on the plumbing diagram. Connect the other line to the front valve port. This is very important because the rear port has full hydraulic pressure, the front port only half as much pressure.

INSTALL PTO DRIVELINE

Install the long U-slip joint No. 48 on the pump driveshaft, and the short U-joint No. 30 on the PTO driveshaft so that the inner edge of the hub of each is flush with the end of the shaft. DO NOT TIGHTEN SETSCREWS. Measure the exact length of the square driveshaft No. 28 needed between the two U-joints so that the shaft will be flush with the inner edge of both hubs. Cut the square driveshaft to proper length with a hacksaw and grind off any burr. Insert shaft into the slipjoint hub. Slide both joints farther onto the shafts and insert the square driveshaft into the short U-joint hub. Re-locate the joints in their proper position. Tighten the setscrews No. 29 very tight and secure with a safety wire.

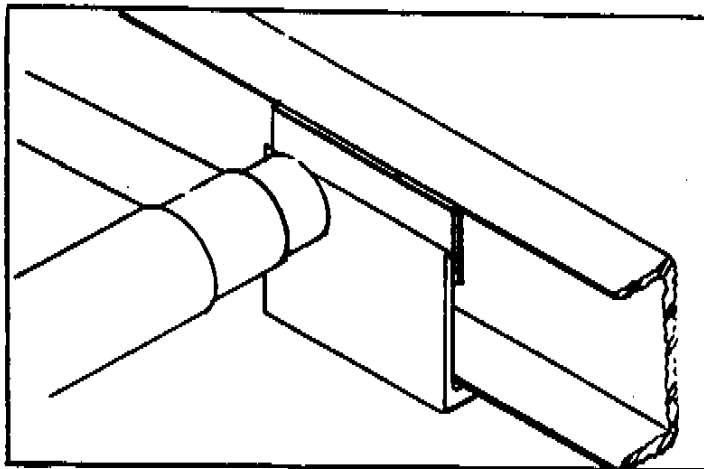
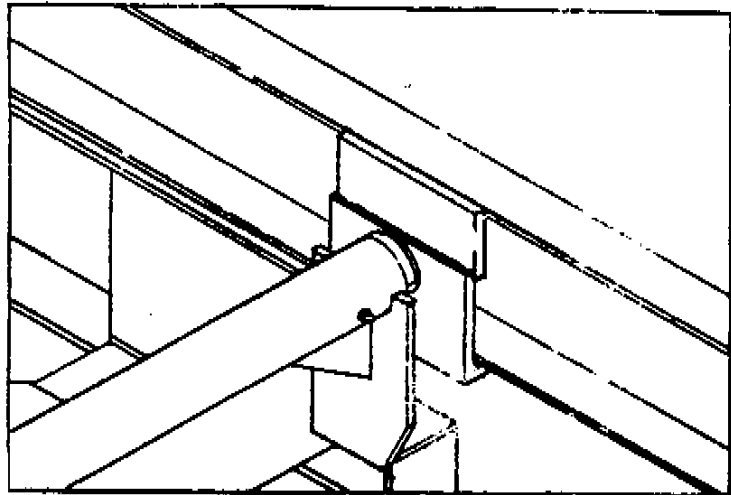
INSTALL TRUCK BODY

Assuming that steel longbeams are attached to the body, place the body in position on the truck. ALLOW AT LEAST TWO INCHES OF CLEARANCE BEHIND CAB. Depending upon the size of the longbeams and the mounting height of the hoist (See page 5), it may be necessary to do some notching of the under-body crossmembers. The design of the hoist is such that notching of crossmembers is minimized, and in most cases eliminated. Use the rivet strip mounting pads No. 8 between the longbeams and the truck frame. Use three on each side, spaced as shown on page 4. Weld them to the underside of the longbeams. Align body longbeams carefully with the truck frame.

LO-BOY ST-4000 TRUCK HOIST

ATTACH LONGBEAMS TO REAR HINGE EXTENSION TUBE BRACKETS

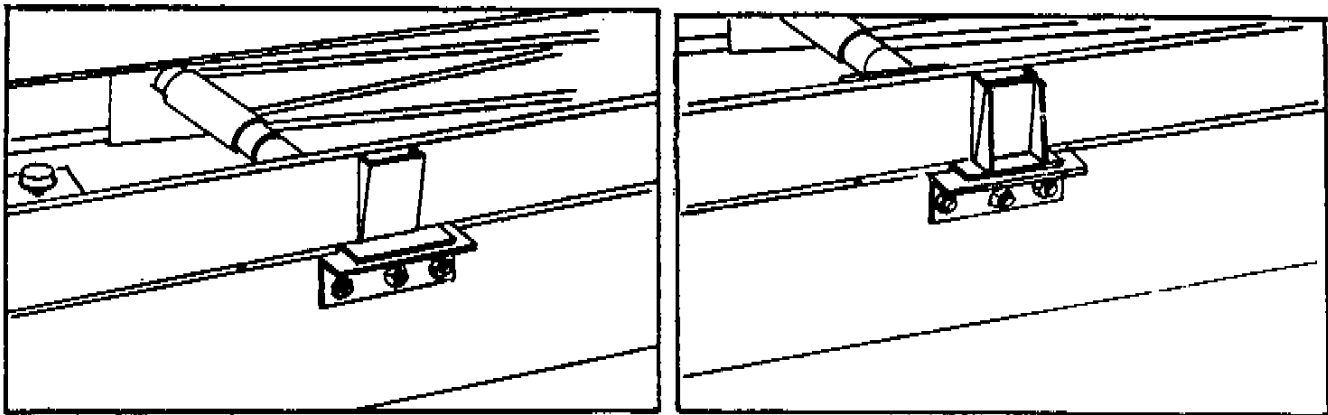
Make sure longbeam extension tube brackets No. 4 are in tight against the stops. Weld the longbeams very securely to the brackets at the bottom. On the inside of the longbeams use the flat spacer No. 6, 3/8 x 3 x 7, to connect the upper flange of the longbeam channel to the top of the bracket as shown. Weld very securely to both the flange of the longbeam and the top of the extension tube bracket.



ATTACH LONGBEAMS TO HOIST LIFT BRACKETS

Weld the longbeams very securely to the angle lift brackets of the hoist. On the inside of the longbeams use the flat spacer No. 1, 3/8 x 2 x 7 to connect the upper flange of the longbeam channel to the top of the hoist lift bracket as shown. Weld the spacer securely to both the longbeam flange and the hoist bracket. These parts are more easily installed if the hoist is raised part way after welding the longbeams to the brackets at the bottom. **BEFORE WORKING UNDER A RAISED BODY BE SURE IT IS BLOCKED UP VERY CAREFULLY TO PREVENT THE POSSIBILITY OF AN ACCIDENT!!**

LO-BOY ST-4000 TRUCK HOIST

INSTALL BODY GUIDES

The four body guides No. 14 are all identical. Weld one to each longbeam as shown, with the wide end of the body guide at the top and centered over the truck mounting brackets. Now weld the other pair of body guides to the truck mounting brackets, and tight against the first body guides as shown. There should be NO SIDE-PLAY between the body guides when the truck body is in the lowered position.

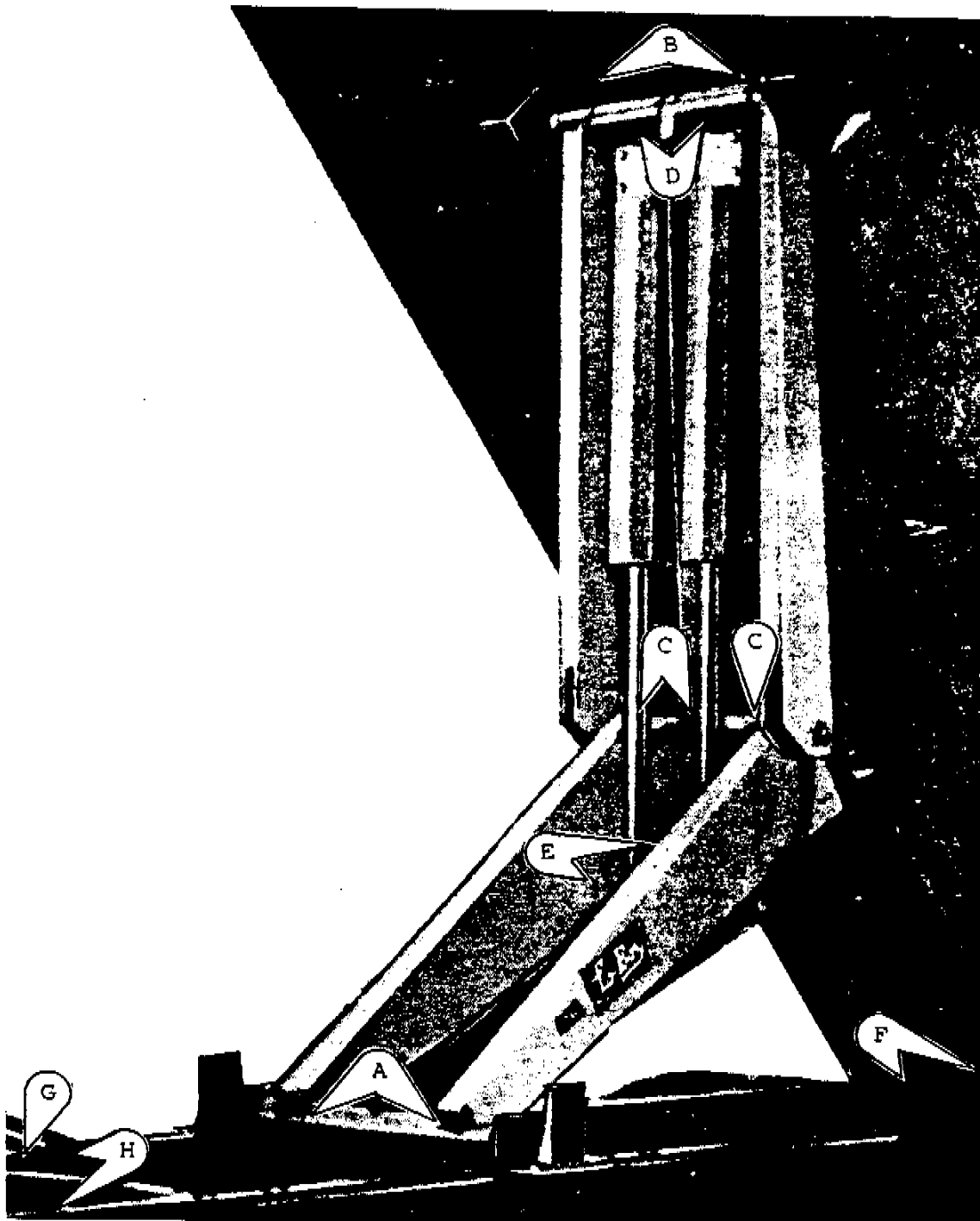
LUBRICATION INSTRUCTIONS

Install and lubricate grease zerks in the following locations:

- A - Truck mount pivot pin - - - 2 fittings
- B - Longbeam pivot pin - - - - 2 fittings
- C - Main center hinge - - - - - 3 fittings
- D - Cylinder base pivot - - - - 2 fittings
- E - Cylinder cross heads - - - 2 fittings
- F - Rear hinge - - - - - - - 2 fittings
- G - U-slip joing - - - - - - - 1 fitting
- H - Each U-joint - - 2 fittings (These are already installed)

Lubricate all fittings at regular intervals, at least each time the truck chassis is lubricated. There are tremendous forces on the bearing surfaces within the hoist frame, especially the main center hinge and cylinder crosshead. It pays to be generous with the grease gun, to insure proper operation and long life.

LO-BOY ST-4000 TRUCK HOIST



-11-
CRYSTEEL MANUFACTURING, INC.

LO-BOY ST-4000 TRUCK HOIST

OPERATION AND USE

1. Engage PTO from cab and adjust engine speed to fast idle.
2. If hydraulic plumbing is correct, hoist should raise when pump knob is out, hold when knob is centered, and lower with knob in.
3. Cycle the hoist several times to remove air from the cylinders and hydraulic lines.
4. When hoist cylinders reach the end of the stroke, oil will bypass through the relief valve. Do not permit this for any length of time as it places unnecessary strain on the hydraulic system. Place pump knob in hold position or disengage the PTO.
5. It is advisable to run the PTO to lower the hoist because this will act as a hydraulic lock to hold the hoist closed. It is not necessary to do this, however, because the reservoir has sufficient capacity whether you pump the oil back into the cylinder or not, but you will not benefit from the advantages of double action.
6. To make use of the hydraulic lock feature place knob in center hold position after hoist is pumped all the way down. This places the pressure on the valve where it belongs, not on the pump.
7. **DO NOT LEAVE THE PTO IN GEAR WHILE TRANSPORTING. THIS WILL CAUSE SEVERE DAMAGE TO THE HYDRAULIC PUMP AND/OR DRIVELINE.**
8. The hydraulic system should be drained, flushed, and refilled with proper hydraulic fluid at regular intervals.

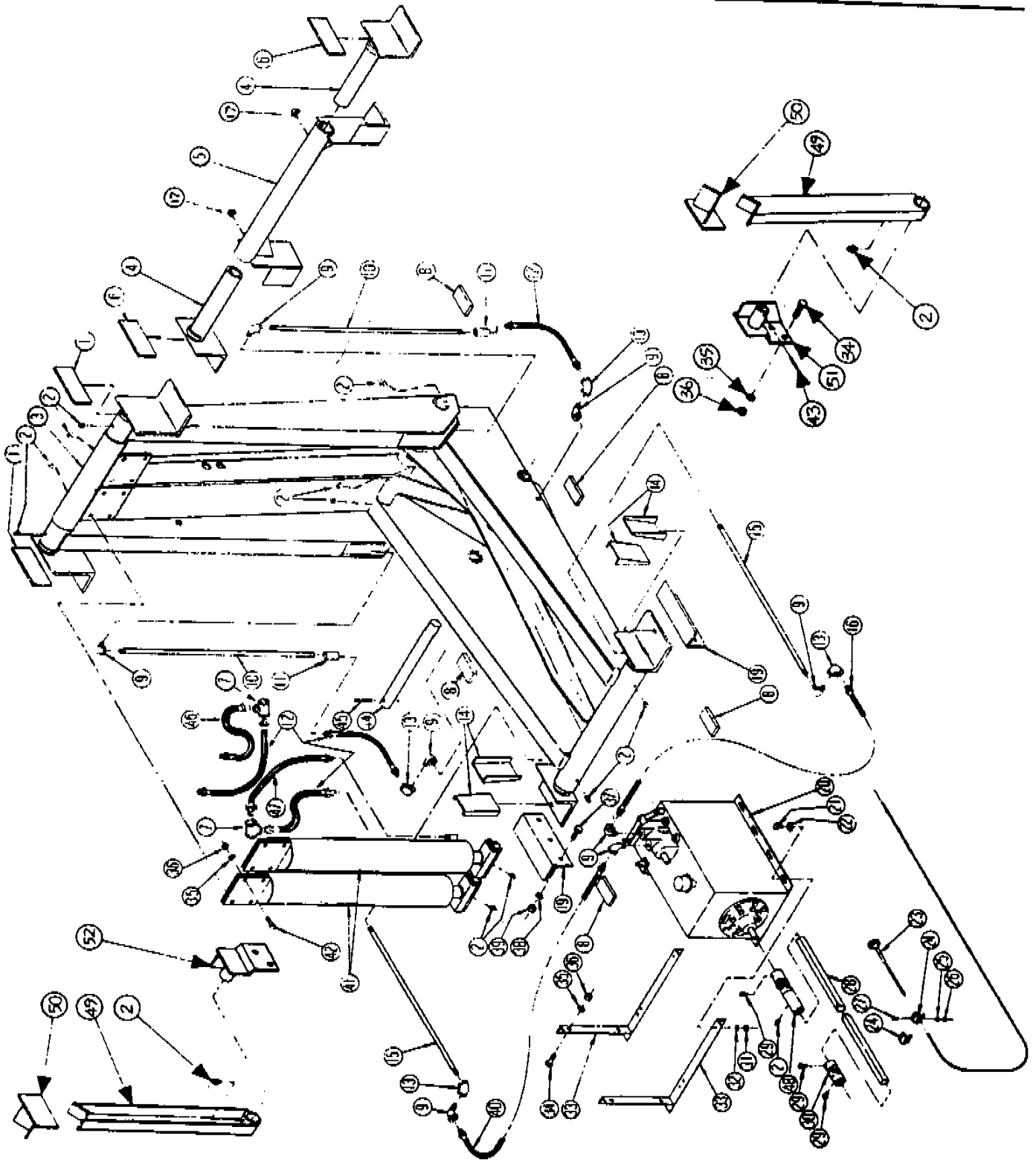
CAUTION: NEVER USE HYDRAULIC BRAKE FLUID IN THE HYDRAULIC SYSTEM.

CAPACITY CHART FOR LO-BOY MODEL ST-4000 HOIST Level Load Capacity in Tons

The capacity of any hoist will vary according to the C.T. dimension of the truck, body length, rear overhang, and dump angle.

| C.T. length | Body length | Capacity 45° | Capacity 30° |
|-------------|-------------|--------------|--------------|
| 120" | 16' | 28 tons | 25 tons |
| 120" | 17' | 30 | 27 |
| 126" | 16' | 26 | 23 |
| 126" | 17' | 28 | 25 |
| 138" | 17' | 24 | 21 |
| 138" | 18' | 26 | 23 |
| 150" | 18' | 22 | 19 |
| 150" | 19' | 24 | 21 |
| 150" | 20' | 26 | 23 |
| 162" | 19' | 21 | 19 |
| 162" | 20' | 22 | 20 |
| 168" | 20' | 21 | 19 |
| 168" | 22' | 24 | 21 |
| 174" | 20' | 20 | 18 |
| 174" | 22' | 22 | 20 |
| 180" | 22' | 21 | 19 |
| 180" | 24' | 24 | 21 |

LO-BOY ST-4000 TRUCK HOIST



-13-
CRYTEEL MANUFACTURING, INC.

LO-BOY ST-4000 TRUCK HOIST

PARTS LIST

| KEY NO. | PART NO. | DESCRIPTION | QUANTITY |
|---------|----------|---|----------|
| 1 | 200896 | Flat spacer 3/8 x 2 x 7 | 2 |
| 2 | 400103 | Grease fitting 1/8-27 straight | 11 |
| 3 | 100160 | Main hoist frame | 1 |
| 4 | 100181 | Extension tube, rear hinge | 2 |
| 5 | 100178 | Rear hinge assembly | 1 |
| 6 | 200894 | Rear hinge spacer 3/8 x 3 x 7 | 2 |
| 7 | 400416 | 3/8 pipe tee | 2 |
| 8 | 200890 | Rivet clearance strip 1/2 x 2 x 4 | 6 |
| 9 | 400412 | 3/8 pipe 90° street elbow | 8 |
| 10 | 400566 | Hydraulic pipe 3/8 x 21 inch | 2 |
| 11 | 400415 | 3/8 pipe coupling | 2 |
| 12 | 400510 | 3/8 x 24 Hydraulic hose SAE 100R2 | 4 |
| 13 | 400413 | 3/8 pipe 90° elbow | 4 |
| 14 | 201415 | Body guide | 4 |
| 15 | 400568 | Hydraulic pipe 3/8 x 39 inch | 2 |
| 16 | 400512 | 3/8 x 36 Hydraulic hose SAE 100R2 | 1 |
| 17 | 400117 | 1/8-27 90° grease fitting | 2 |
| 19 | 201372 | Mounting angle | 2 |
| 20 | 400324 | 8 GPM hydraulic pump & reservoir - 1 val. | 1 |
| 21 | 400121 | 3/8 x 1 N.C. cap screw | 4 |
| 22 | 400164 | 3/8 flat washer | 4 |
| 23 | 400025 | Pump control cable, 12 foot | 1 |
| 24 | 201391 | Dash control mounting angle | 2 |
| 25 | 400163 | 1/4 Lock washer | 4 |
| 26 | 400184 | 1/4 N.C. hex nut | 4 |
| 27 | 400101 | 1/4 x 3/4 N.C. cap screw | 4 |
| 28 | 200885 | PTO driveshaft, 7/8 square x 4 feet | 1 |
| 29 | 400102 | 3/8 x 1/2 N.C. setscrew, drilled head | 3 |
| 30 | 400578 | Standard short U-joint | 1 |
| 31 | 400183 | 3/8 N.C. hex nut | 4 |
| 32 | 400162 | 3/8 lock washer | 4 |
| 33 | 100511 | Pump mounting angle | 2 |
| 34 | 400104 | 1/2 x 1 3/4 N.C. cap screw | 4 |
| 35 | 400161 | 1/2 lock washer | 12 |
| 36 | 400182 | 1/2 N.C. hex nut | 12 |
| 37 | 400100 | 5/8 x 1-3/4 N.C. cap screw | 6 |
| 38 | 400160 | 5/8 lock washer | 6 |
| 39 | 400181 | 5/8 N.C. hex nut | 6 |
| 40 | 400513 | 3/8 x 42 Hydraulic hose, SAE 100R2 | 1 |
| 41 | 100228 | Hydraulic cylinder assembly | 2 |
| 42 | 400105 | 1/2 x 2 N.C. cap screw | 8 |
| 43 | 400220 | Roll pin, 1/4x3 | 2 |
| 44 | 201156 | Cylinder crosshead shaft | 1 |
| 45 | 400209 | 1/2 x 2-1/2 roll pin | 1 |
| 46 | 400509 | 3/8 x 18 hydraulic hose, SAE 100R2 | 1 |
| 47 | 400511 | 3/8 x 30 hydraulic hose, SAE 100R2 | 1 |
| 48 | 400583 | Long U-slip joint | 1 |
| 49 | 101220 | Body prop arm assembly | 2 |
| 50 | 101221 | Longbeam bracket, body prop | 2 |
| 51 | 101272 | Mounting bracket, body prop, left | 1 |
| 52 | 101273 | Mounting bracket, body prop, right | 1 |

-14-

CRYSTEEL MANUFACTURING, INC.

LO-BOY ST-4000 TRUCK HOIST

OPTIONAL PARTS LIST

| PART NO. | DESCRIPTION | REPLACES KEY NO. | QUANTITY |
|----------|----------------------------------|---------------------|----------|
| 400026 | Pump Control cable 15 foot | 23 | 1 |
| 400336 | Hyd. pump & res. 8 GPM 2 valves | 20 | 1 |
| 400338 | Hyd. pump & res. 12 GPM 1 valve | 20 | 1 |
| 400339 | Hyd. pump & res. 12 GPM 2 valves | 20 | 1 |
| 400517 | Hyd. hose extension 12 inch long | | 2 |
| 400518 | Hyd. hose extension 24 inch long | | 2 |
| 400519 | Hyd. hose extension 42 inch long | | 2 |

SOME DO'S AND DON'TS FOR SAFETY AND LONG SERVICE LIFE

1. Use the proper hydraulic fluid. KEEP IT CLEAN. Remember to change it regularly. (See page 7)
2. Lubricate all grease fittings at regular intervals. (See page 10)
3. ALWAYS CAREFULLY BLOCK UP THE HOIST BEFORE WORKING UNDER IT.
4. Do NOT race the engine when unloading.
5. Do NOT overload the hoist beyond its capacity.
6. DO NOT TAMPER WITH THE HYDRAULIC RELIEF VALVE. This will void the warranty. It can cause severe damage to hoist and cylinder.
7. NEVER LEAVE THE PTO IN GEAR WHILE TRANSPORTING. IT WILL RUN THE HYDRAULIC PUMP.
8. Check all bolts and setscrews regularly. Keep them tight.

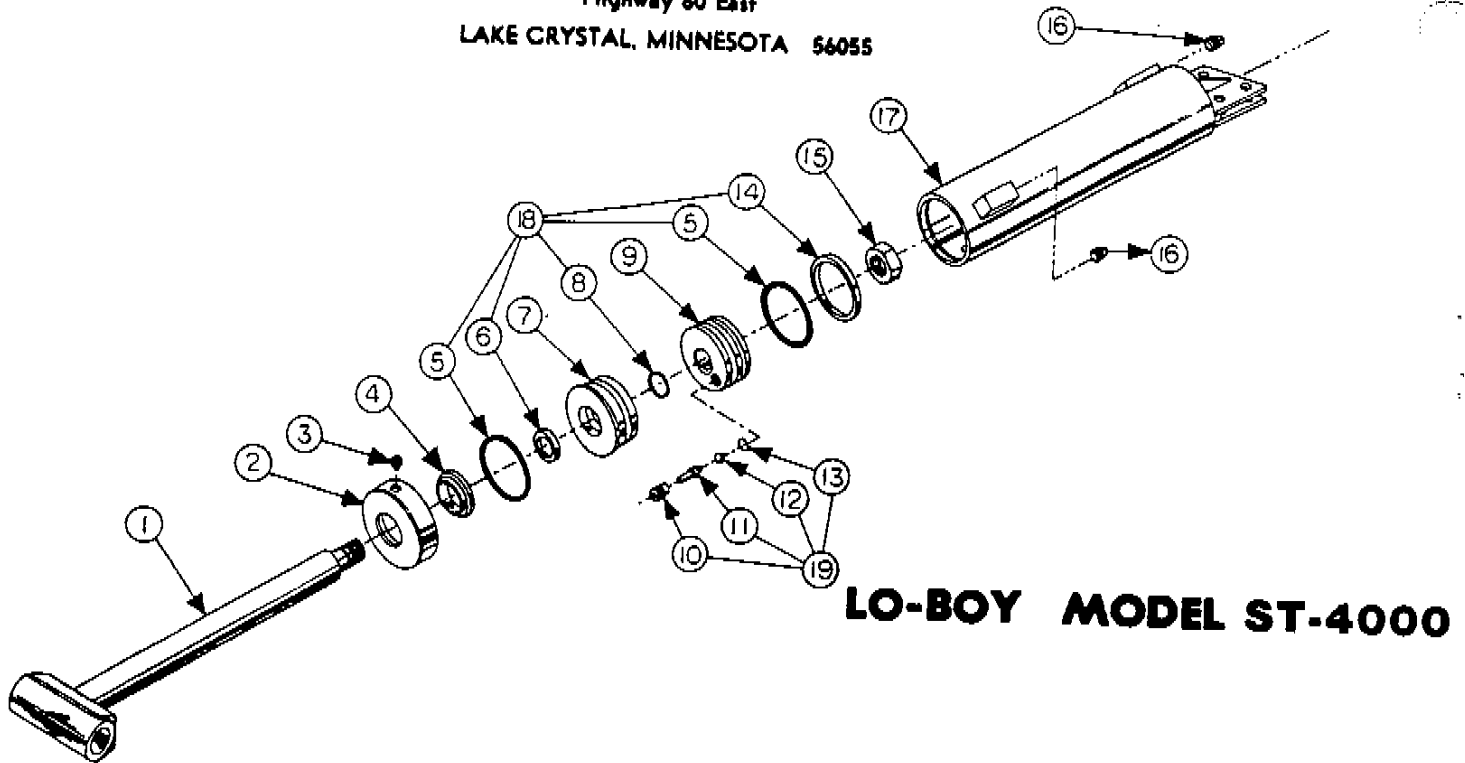
CAPACITY FORMULA FOR LO-BOY MODEL ST-4000 HOIST

To determine the capacity of the Lo-Boy Model ST-4000 hoist for applications other than those shown on the capacity chart, use the following formula:

- (1) Measure the distance in inches from center of the rear hinge pin to the center of the body. Call this dimension "A".
- (2) Measure the distance in inches as shown on page 4, from the center of the rear hinge pin to the center of lift point. This is dimension "D".
- (3) Multiply dimension "D" by 29.
- (4) Divide this total by dimension "A". Result will be the level load capacity of the hoist in thousands of pounds, including body weight.

CRYSTEEL MANUFACTURING, INC.

Highway 60 East
LAKE CRYSTAL, MINNESOTA 56055



LO-BOY MODEL ST-4000

CYLINDER PARTS LIST MODEL ST-4000 (SERIAL NUMBER 2-4000-001 AND UP)

| KEY NO. | PART NO. | DESCRIPTION | QUANTITY |
|---------|----------|-------------------------------|----------|
| 1 | 104274 | Cylinder Shaft Assembly | 1 |
| 2 | 104295 | Cylinder Cap Assembly | 1 |
| 3 | 400149 | Set Screw 1/4x3/16, Nylon tip | 1 |
| 4 | 400915 | Wiper Seal, 2 3/8 inch | 1 |
| 5 | 400254 | O-Ring 4 1/2 x 5 | 1 |
| 6 | 400908 | Poly Seal 2 3/8 x 2 5/8 | 2 |
| 7 | 205134 | Head | 1 |
| 8 | 400255 | O-Ring 1 1/2 x 1 5/8 | 1 |
| 9 | 202461 | Piston | 1 |
| 10 | 400978 | Valve Plug | 1 |
| 11 | 400979 | Valve Pin | 1 |
| 12 | 400013 | Ball 3/8 | 1 |
| 13 | 401017 | O-Ring | 1 |
| 14 | 400252 | Poly Seal 4 1/2 x 5 | 1 |
| 15 | 400200 | Lock Nut 1 1/2 | 1 |
| 16 | 400422 | Pipe Plug 3/8 | 2 |
| 17 | 104311 | Cylinder Tube Assembly | 1 |
| 18 | 105180 | Seal Kit | |
| 19 | 105185 | Valve Kit | |

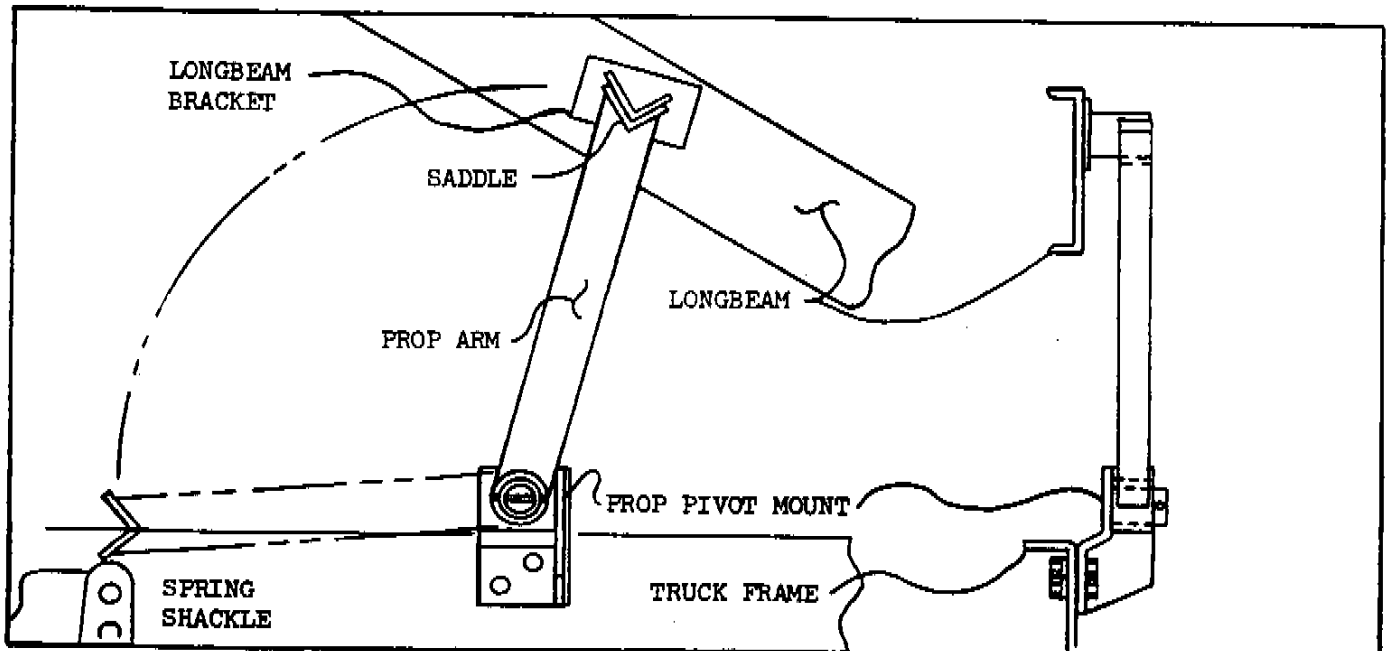
CRYSTEEL TRUCK BODY PROP

Crysteel's Body Prop is designed and intended for use to support an empty truck body in the raised position to permit service work to be performed safely beneath a raised body. As a general rule, one prop will support a farm type body of 16 feet or less. With longer bodies, two props should be used, one on each side. Crysteel's Body Props come in pairs, driver's side and curb side. Single cylinder hoists come with the prop for the driver's side; twin cylinder hoists come with both props.

INSTALLATION OF TRUCK BODY PROP

Refer to drawings as shown below:

1. Raise body to desired height and brace it securely before beginning installation.
2. Assemble prop arm to prop pivot mount with 1/4 x 3 roll pin. Position prop pivot mount against outside of truck frame just behind rear axle, allowing saddle end of prop arm to rest a top front rear spring shackle as shown. Using prop pivot mount as a guide, mark location of holes on truck frame and drill. Fasten prop pivot mount to truck frame with 1/2 x 1 3/4 bolts, lockwashers and nuts.
3. Raise prop arm to free standing position by allowing prop arm to rest against rear flange of prop pivot mount. Place longbeam bracket in prop arm saddle. Position longbeam bracket against the upper outside of body longbeam in order to allow room for clearance when body is in the lowered position. Weld longbeam bracket securely in place.
4. To operate Truck Body Prop raise body to desired height, shut off all power, raise prop arm to free standing position. Lower body slowly until longbeam bracket contacts prop arm saddle. **DO NOT POWER HOIST DOWN!!!!!!**
5. To place Truck Body Prop in storage position simply reverse the above procedure.



LO-BOY ST-4000 TRUCK HOIST

WARRANTY

WARRANTY

Crysteel Manufacturing, Inc., warrants its products for a period of one year from date of purchase.

The warranty provides that our products must perform satisfactorily or we will repair, replace, or refund the purchase price at the option of the purchaser. Hydraulic pumps, valves, hoses, and other purchased parts are covered by the warranties of their respective manufacturers.

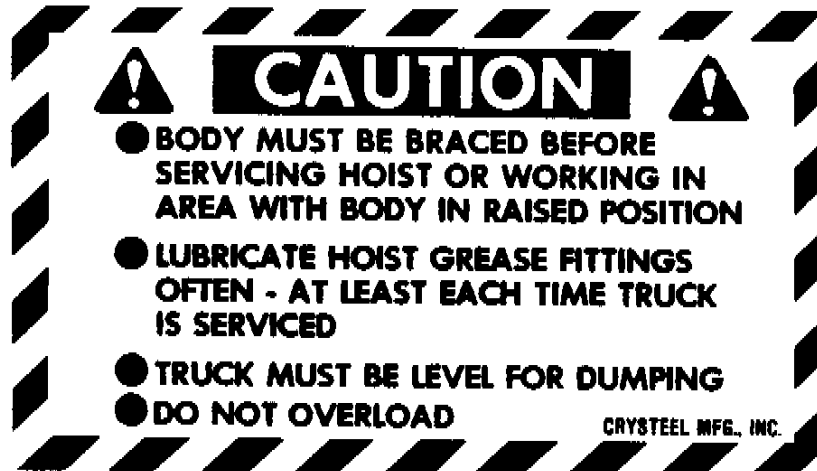
Any parts returned to Crysteel Manufacturing, Inc. shall be shipped prepaid, and will be returned F.O.B. Lake Crystal, Minnesota.

We will not assume responsibility for shipping, labor, or travel expenses.

The warranty is void if the product has been obviously abused, or subjected to other than normal usage.

We reserve the right to make improvements without notice or obligation regarding models previously sold.

*SPECIALLY DESIGNED —
WITH QUALITY IN MIND*



CAUTION

- BODY MUST BE BRACED BEFORE SERVICING HOIST OR WORKING IN AREA WITH BODY IN RAISED POSITION
- LUBRICATE HOIST GREASE FITTINGS OFTEN - AT LEAST EACH TIME TRUCK IS SERVICED
- TRUCK MUST BE LEVEL FOR DUMPING
- DO NOT OVERLOAD

CRYSTEEL MFG., INC.



HIGHWAY 60 EAST • LAKE CRYSTAL, MINNESOTA 56055 • TELEPHONE 507-726-2728